



The Desktop Rolltop Custom

Information & Specifications



(model DTRTC-II)

The HSA Desktop Rolltop Custom Rolltops give you a convenient way to house and protect a wide variety of 19" rack mount and non-rackmount electronic equipment. Very suitable for boardroom, Houses of Worship, educational, corporate, recording and other professional environments, the HSA Desktop Rolltop Custom Rolltops are an elegant and easy way to aesthetically blend audio, video and many other electronic systems into their surroundings.

Materials & Assembly: Desktop Rolltop Custom Rolltops are handcrafted from a selection of engineered core and multi-core panels with premium Red Oak faces for high dimensional integrity, consistency and strength. Extra thick contour edging is used to match the oak or other optional/custom wood species or high pressure laminates.

Unique Desktop Design: The special "tabletop" design of the Desktop Rolltop Custom Rolltop provides the beauty and security of an HSA Rolltop Desk in situations where a stand-alone desk cannot be utilized. Our special technique of stopping the rolltop tambour door at the desk's table allows installation of the HSA Desktop Rolltop Custom without the need, frustration or risk of alteration to the existing millwork. There is ample room at the rear of the 68.00" wide table top to handle your cabling (a 3.125" clearance is provided between the table rear edge and tambour path). Cabling entrance/exit grommets are provided on either or both sides of the desk. The wood construction of the table (and desk) provides easy on-site solutions to cable dressing/harnessing and special equipment/panel mounting needs.

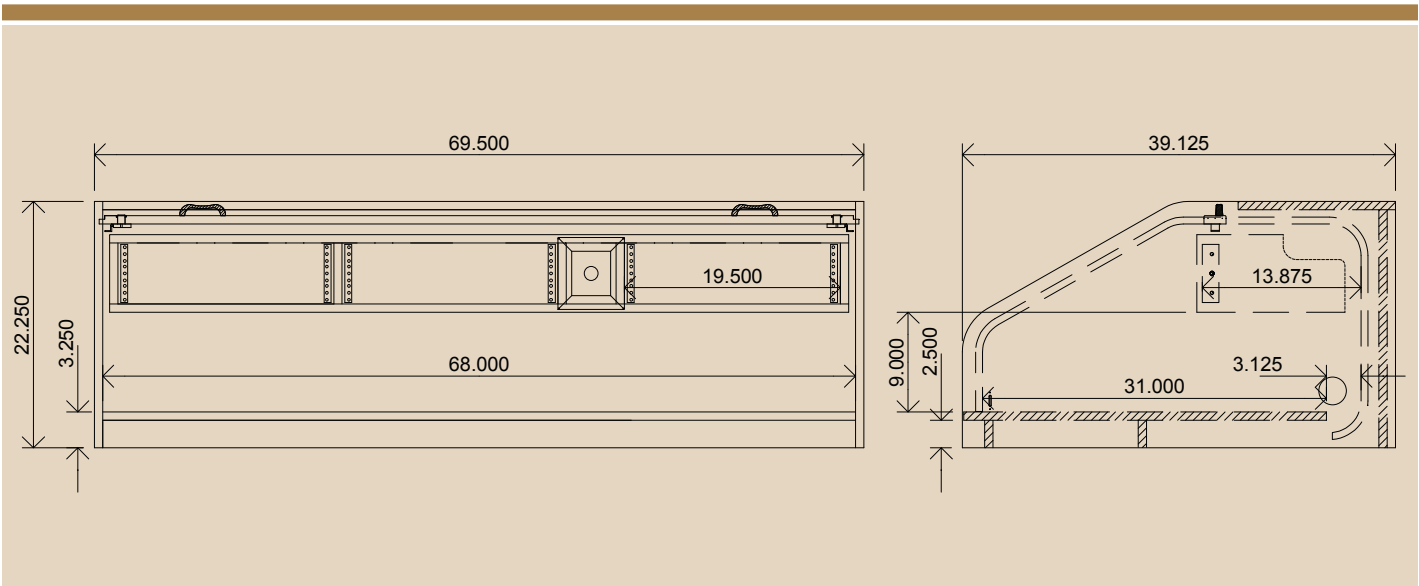
GlideOut Upper Racks: Three side-by-side rack mounts of 3 spaces each bridge the table top for convenient mounting of media players, processors and other units where frequent adjustment or visual monitoring is desired. The entire, detachable rack bridge slides forward on premium, ball-bearing overtravel glides for easier wiring.

Rolltop Tambours: We hand build our own rolltop tambour doors to assure quality and extra strength. The 1.5" by 1/2" thick tambours are lead by a 2" wide by 3/4" thick lead tambour for extra strength at the locks and polished brass handles. The thicker profile results in a very smooth operation that can be maintained with an occasional application of ordinary wax. Flush mounted cabinet locks on the lead tambours engage into the sidewalls, securing the rolltop tambour doors without getting in the way.

- ▶ The most beautiful & functional solution for housing electronic systems
- ▶ Unique tabletop design
- ▶ No modifications needed to existing countertop areas
- ▶ Upper GlideOut racks above table
- ▶ Less than 23" high overall
- ▶ 68" Wide Desktop
- ▶ Locking rolltop tambour door
- ▶ Solidly & carefully crafted
- ▶ With a variety of finishes

Finish: A variety of stain colors are available with our popular and environmentally friendly waterborne finishing system. These advanced waterborne stains, sealers and finish coats produce a beautiful grain pattern and depth of color. They maintain the natural feel of the wood yet offer some of the best protection from abrasion and spills and keep looking great with minimal upkeep. Actual color samples are available to help you make your selection.

Other Desktop Rolltop Custom Rolltop Benefits: The Desktop Rolltop Custom Rolltop offers additional safety and security by organizing equipment and wiring which, in modern open installations, could be a source of many problems. Being able to "lock-down" the system prevents unauthorized tampering with equipment and wiring between uses. Furthermore, the HSA Desktop Rolltop Custom Rolltops (and our other fine wood furnishings) conveys an image of professionalism and quality, presenting your audio, video, lighting or any electronic system in the very best way and as a matching, integral part of its environment.



Left image of the Desktop Rolltop Custom Rolltop shows the rolltop tambour door opened (rolltop door descends and stops at approximately the level of the table). Right image of desk shows fully finished desk rear.

Drawing Notes: Cable entrance/exit grommets are provided on the desk sides. The maximum usable depth (front to back) for equipment is considered approximately 31.00 inches and the maximum height is 9.00 inches. The maximum height is somewhat less near the front edge where the tambour curves downward. Please note that a small amount of this clearance is taken by the lock assembly. It approximately 0.5" thick out to about 2.750" from the sidewalls and about 0.75" thick within about 0.875" of the sidewalls. Wood is a natural product and overall working tolerances can be in the range of +/- 0.25" normally.

The Desktop Rolltop Custom Rolltop is available with the following options/customizations:

- | | |
|----------|---|
| ACCUS | RTCUS/SXT Removable Rear Accessway |
| HRPLUS4 | 4" Extra table to tambour clearance for High Rise style desks |
| DUALFAN | Dual, ATM quiet fan system (with temperature sensor) |
| HDWESILV | Satin/Silver finish hardware |
| COVER | Heavy-duty padded dust cover |

Contact your dealer or HSA directly or visit our website at www.hsarolltops.com

WARRANTY: HSA warrants standard products for a period of one year and covers defects in materials and workmanship. Wood is a natural material and every piece is unique. Deviations in the final products from each other or samples in finish, color, contrast, density and pattern are to be expected and is part of the beauty and appeal in wood products and are not considered defects under our warranty. The warranty does not cover improper installation or use of HSA products. The warranty also does not cover appearance or appearance items, finish items or any malfunctions caused by misuse or improper operation. HSA's liability does not include any consequential or resulting damage to person, property, equipment, goods, merchandise, profits, goodwill, or reputation arising out of any defect in or failure of product. HSA expressly disclaims warranty for a particular purpose and only designs and manufactures product according to dimensions furnished by the buyer or as stated in literature, website publication or drawings by HSA (which are subject to change without notice). HSA does not guarantee that another manufacturer's piece or pieces of equipment will fit into one of our designs or products as HSA does not exercise control over the sizes, arrangement, wiring or application of the other manufacturer's products or the end-user's operating preferences. Therefore the determination of whether or not equipment or a system will properly fit into an HSA product is a decision resting solely on the buyer prior to purchase. Warranty items will be repaired or replaced at our option without charge for materials or labor, provided such items are returned for inspection, transportation prepaid, to HSA, Inc., Mishawaka, IN.