



The High Rise Mini Rolltop

Information & Specifications



(model HRMINI-II)

The HSA High Rise Mini Rolltops give you a convenient way to house and protect a wide variety of 19" rack mount and non-rackmount electronic equipment. Very suitable for boardroom, Houses of Worship, educational, corporate, recording and other professional environments, the HSA High Rise Mini Rolltops are an elegant and easy way to aesthetically blend audio, video and many other electronic systems into their surroundings.

Materials & Assembly: High Rise Mini Rolltops are handcrafted from a selection of engineered core and multi-core panels with premium Red Oak faces for high dimensional integrity, consistency and strength. Extra thick contour edging is used to match the oak or other optional/custom wood species or high pressure laminates.

Table Top: The 19.50" wide table surface is at 25.75" height for comfortable operation of mixing consoles, computers, switchers, keyboards, recording equipment, etc. In addition to a 3.125" clearance between the table rear and tambour path, a wiring grommet is provided at the table rear for additional wire management. The material and construction of the table (and desk) enables easy on-site solutions to cable dressing/harnessing and special equipment/panel mounting needs.

Lower Rack: The 10 space extra deep industry standard rack is designed to accept deep chassis power amplifiers and process electronics. We use heavy-duty steel rails with extra half-rack tapped screw holes to allow for a wide variety of equipment spacing. A 1.50" clearance is given between the rack rails and tambour door for space for knobs and handles and to assist with ventilation (see notes on lock clearance exceptions). Rear clearance is maintained since the tambour door stops before reaching the rear even when fully open. The rolltop tambour rack door is secured with a flush-mount brass cabinet lock keyed alike to the main rolltop tambour door lock. The rack rear opens to both the floor and the rear of the table for ventilation and easy wir-

- ▶ The most beautiful & functional solution for housing electronic systems
- ▶ Deep 10 space lower rack
- ▶ Upper 3RU rack above table
- ▶ Less than 45" high overall
- ▶ Both Upper & Lower rolltop tambour doors lock
- ▶ Solidly & carefully crafted
- ▶ With a variety of finishes

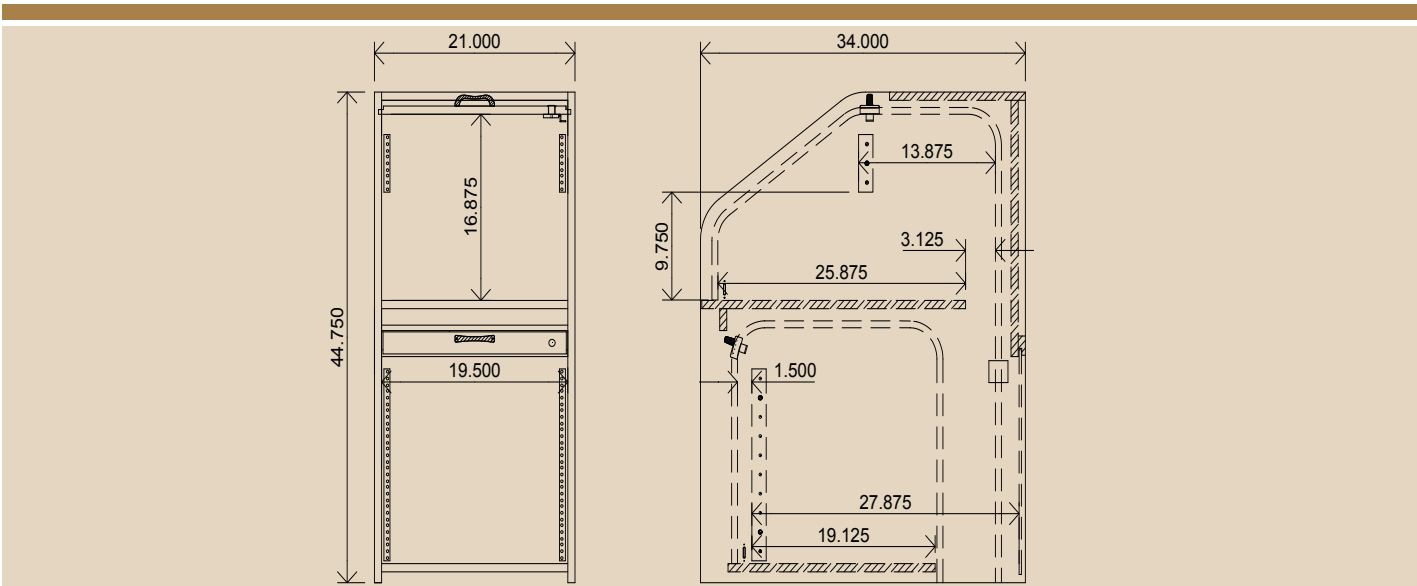
ing. The desk has a finished, removable rear panel behind the rack area for security and aesthetics.

Upper Rack: A pair of 3 space rack rails are mounted above the table top for convenient rackmounting of media players, processors and other units where frequent adjustment or visual monitoring is desired. The rail area is completely open for easier wiring.

Rolltop Tambours: We hand build our own rolltop tambour doors to assure quality and extra strength. The 1.5" by 1/2" thick tambours are lead by a 2" wide by 3/4" thick lead tambour for extra strength at the locks and polished brass handles. The thicker profile results in a very smooth operation that can be maintained with an occasional application of ordinary wax. Flush mounted cabinet locks on the lead tambours engage into the sidewalls, securing the rolltop tambour doors without getting in the way.

Finish: A variety of stain colors are available with our popular and environmentally friendly waterborne finishing system. These advanced waterborne stains, sealers and finish coats produce a beautiful grain pattern and depth of color. They maintain the natural feel of the wood yet offer some of the best protection from abrasion and spills and keep looking great with minimal upkeep. Actual color samples are available to help you make your selection.

Other High Rise Mini Rolltop Benefits: The High Rise Mini Rolltop offers additional safety and security by organizing equipment and wiring which, in modern open installations, could be a source of many problems. Being able to "lock-down" the system prevents unauthorized tampering with equipment and wiring between uses. Furthermore, the HSA High Rise Mini Rolltops (and our other fine wood furnishings) conveys an image of professionalism and quality, presenting your audio, video, lighting or any electronic system in the very best way and as a matching, integral part of its environment.



Left image of the High Rise Mini Rolltop shows both main and undermounted rack rolltop tambour doors opened. Right image of desk rear shows rear removeable lower rack panel in place and desk rear. All exposed surfaces fully finished.

The High Rise Mini Rolltop is available with the following options/customizations:

- HRPLUS4 4" Extra table to tambour clearance for High Rise style desks
- RBMINI Caster Rollbase for High Rise Mini w/Standard Casters
- RBMINI-HD Caster RollBase for HRMINI w/4" Heavy Duty Casters
- DUALFAN Dual, ATM quiet fan system (with temperature sensor)
- HDWESILV Satin/Silver finish hardware

Contact your dealer or HSA directly or visit our website at www.hsarolltops.com

Drawing Notes: The maximum usable depth (front to back) for equipment is considered approximately 25.875 inches and the maximum height is 9.750 inches under the 3RU Rack Bay. The maximum height is somewhat less near the front edge where the tambour curves downward. The undermounted rack floor is offset from the floor 1" and the back of the rack is fully open for wiring runs. The lower rear of the desk (behind the rack) is covered by a removable panel. There is a 1.5" clearance between the backside of the lower rack tambour door and the front surface of the rack rail. This clearance is adequate for most applications but be sure to measure equipment to be installed for all clearances to be positive. Additionally, a small amount of this clearance (and the table top tambour clearance also) is taken by the lock assemblies. They are approximately 0.5" thick out to about 2.750" from the sidewalls and about 0.75" thick within about 0.875" of the sidewalls. Although you can be sure that Standard 19" rack mount equipment will mount across our rack rails, wood is a natural product and overall working tolerances can be in the range of +/- 0.25" normally.

WARRANTY: HSA warrants standard products for a period of one year and covers defects in materials and workmanship. Wood is a natural material and every piece is unique. Deviations in the final products from each other or samples in finish, color, contrast, density and pattern are to be expected and is part of the beauty and appeal in wood products and are not considered defects under our warranty. The warranty does not cover improper installation or use of HSA products. The warranty also does not cover appearance or appearance items, finish items or any malfunctions caused by misuse or improper operation. HSA's liability does not include any consequential or resulting damage to person, property, equipment, goods, merchandise, profits, goodwill, or reputation arising out of any defect in or failure of product. HSA expressly disclaims warranty for a particular purpose and only designs and manufactures product according to dimensions furnished by the buyer or as stated in literature, website publication or drawings by HSA (which are subject to change without notice). HSA does not guarantee that another manufacturer's piece or pieces of equipment will fit into one of our designs or products as HSA does not exercise control over the sizes, arrangement, wiring or application of the other manufacturer's products or the end-user's operating preferences. Therefore the determination of whether or not equipment or a system will properly fit into an HSA product is a decision resting solely on the buyer prior to purchase. Warranty items will be repaired or replaced at our option without charge for materials or labor, provided such items are returned for inspection, transportation prepaid, to HSA, Inc., Mishawaka, IN.

Product specifications, availability and cost subject to change without notice.

High Rise Mini Rolltop (HRMINI-II) © 1990-2015 by HSA, Inc