



# The Desktop High Rise Extended

## Information & Specifications



(model DTHREXT-II)

The HSA Desktop High Rise Extended Rolltops give you a convenient way to house and protect a wide variety of 19" rack mount and non-rackmount electronic equipment. Very suitable for boardroom, Houses of Worship, educational, corporate, recording and other professional environments, the HSA Desktop High Rise Extended Rolltops are an elegant and easy way to beautifully blend audio, video and many other electronic systems into their surroundings for easy operation by authorized users.

**Materials & Assembly:** Desktop High Rise Extended Rolltops are handcrafted from a selection of engineered core and multi-core panels with premium oak faces for high dimensional integrity, consistency and strength. Edges are finished to match the oak or our other optional/custom wood species or durable high pressure laminates. HSA products can be dis-assembled for easier maintenance, updates and installation.

**Unique Desktop Design:** The special "tabletop" design of the Desktop High Rise Extended Rolltop provides the beauty and security of an HSA Rolltop Desk in situations where a stand-alone desk cannot be utilized. Our special technique of stopping the opening rolltop tambour door behind the desk's table allows installation of the HSA Desktop High Rise Extended without the need, frustration or risk of alteration to the existing millwork. Finished in a durable matte black high pressure laminate worksurface, there is ample room at the rear of the 56.00" wide table top to handle your cabling (a 3.125" clearance is provided between the table rear edge and tambour path). Cabling entrance/exit grommets are provided on either or both sides of the desk. The wood construction of the table (and desk) provides easy on-site solutions to cable dressing/harnessing and special equipment/panel mounting needs.

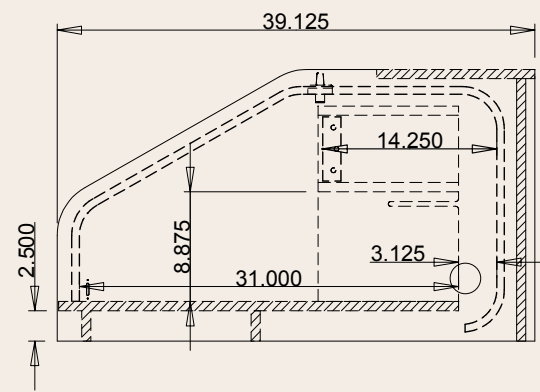
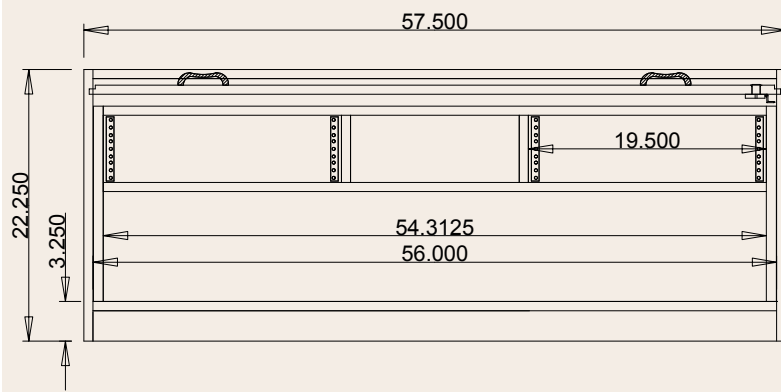
**SlideOut Upper Racks:** Two side-by-side rack mounts of 3 spaces each bridge the table top for convenient mounting of media players, processors and other units where frequent adjustment or visual monitoring is desired. The entire rack bridge slides forward by loosening two screws and is self-supporting for easy handling and wiring.

- ▶ The most beautiful & functional solution for housing electronic systems
- ▶ Unique tabletop design
- ▶ No modifications needed to existing countertop areas
- ▶ Upper SlideOut racks above table
- ▶ Less than 23" high overall
- ▶ Wider desktop
- ▶ Locking rolltop tambour door
- ▶ Solidly & carefully crafted
- ▶ With a variety of finishes

**Rolltop Tambours:** We hand build our own rolltop tambour doors to assure quality and extra strength. The 1.5" by 1/2" thick tambours are lead by a 2" wide by 3/4" thick lead tambour for extra strength at the locks and polished brass handles. The thicker profile results in a very smooth operation that can be maintained with an occasional application of ordinary wax. Flush mounted cabinet locks on the lead tambours engage into the sidewalls, securing the rolltop tambour doors without getting in the way.

**Finish:** A variety of stain colors are available with our beautiful and environmentally friendly waterborne finishing system. These advanced waterborne stains and durable finish coats produce a beautiful grain pattern and depth of color. They maintain the natural feel of the wood yet offer some of the best protection from abrasion and spills and keep looking great with minimal upkeep. Actual color samples are available to help you make your selection.

**Additional Desktop High Rise Extended Rolltop Benefits:** The Desktop High Rise Extended Rolltop offers additional safety and security by organizing equipment and wiring which, in modern open installations, could be a source of many problems. Being able to "lock-down" the system prevents unauthorized tampering with equipment, settings and wiring between uses. The HSA Desktop High Rise Extended Rolltop (and our other fine wood furnishings) conveys security, professionalism and quality, presenting your audio, video, lighting or any electronic system in the very best way as a matching, integral part of its environment.



Left image of the Desktop High Rise Extended Rolltop shows the rolltop tambour door opened (rolltop door descends inside rear of desk stopping behind table). Right image of desk shows fully finished desk rear.

**These are only a few of the many options available to customize your Desktop High Rise Extended Rolltop:**

- HRPLUS4 Not enough clearance? Add the PLUS4 or PLUS5 option for extra inches of height clearance on the table for those taller mixers
- ACCEXT Special accessway through rear of desk with a screw removable finished full panel.

These and many more options are available. Contact your dealer, or HSA directly, or visit our website at [www.hsarolltops.com](http://www.hsarolltops.com) for more information and design assistance.

**Drawing Notes:** The usable depth on the table worksurface for equipment (front to back) is considered approximately 31", with an additional 3+" of open space behind that before you run into the rolltop at the back. The maximum clearance height on the worksurface under the SlideOut rack is 8.875" (with 54.3125" clearance between the walls under the rack). Additionally, a small amount of this clearance is taken by the lock assembly. Our standard lock assemblies are approximately 0.5" thick out to about 2.750" from the sidewalls and about 0.75" thick within about 0.875" of the sidewalls. Although you can be sure that normal 19" rack mount equipment will mount across our rack rails, wood is a natural product and overall working tolerances can be in the range of +/- 0.25" normally.

**WARRANTY:** HSA warrants standard products for a period of one year and covers defects in materials and workmanship. Wood is a natural material and every piece is unique. Deviations in the final products from each other or samples in finish, color, contrast, density and pattern are to be expected and is part of the beauty and appeal in wood products and are not considered defects under our warranty. The warranty does not cover improper installation or use of HSA products. The warranty also does not cover appearance or appearance items, finish items or any malfunctions caused by misuse or improper operation. HSA's liability does not include any consequential or resulting damage to person, property, equipment, goods, merchandise, profits, goodwill, or reputation arising out of any defect in or failure of product. HSA expressly disclaims warranty for a particular purpose and only designs and manufactures product according to dimensions furnished by the buyer or as stated in literature, website publication or drawings by HSA (which are subject to change without notice). HSA does not guarantee that another manufacturer's piece or pieces of equipment will fit into one of our designs or products as HSA does not exercise control over the sizes, arrangement, wiring or application of the other manufacturer's products or the end-user's operating preferences. Therefore the determination of whether or not equipment or a system will properly fit into an HSA product is a decision resting solely on the buyer prior to purchase. Warranty items will be repaired or replaced at our option without charge for materials or labor, provided such items are returned for inspection, transportation prepaid, to HSA, Inc., Mishawaka, IN.