



The Inspire Rolltop Custom Rolltop

Information & Specifications



(model INSRTC-II)

The HSA Inspire Rolltop Custom Rolltops give you a convenient way to house and protect a wide variety of 19" rack mount and non-rackmount electronic equipment. Very suitable for boardroom, Houses of Worship, educational, corporate, recording and other professional environments, the HSA Inspire Rolltop Custom Rolltops are an elegant and easy way to beautifully blend audio, video and many other electronic systems into their surroundings for easy operation by authorized users.

Materials & Assembly: Inspire Rolltop Custom Rolltops are handcrafted from a selection of engineered core and multi-core panels with premium oak faces for high dimensional integrity, consistency and strength. Edges are finished to match the oak or our other optional/custom wood species or durable high pressure laminates. HSA products can be dis-assembled for easier maintenance, updates and installation.

Table Top: The 68" wide table surface is at 25.75" height for comfortable operation of mixing consoles, computers, switchers, keyboards, recording equipment, etc. In addition to a 3.125" clearance between the table rear and tambour path, wiring grommets are provided at the table rear for additional wire management. Finished in a durable matte black high pressure laminate worksurface, it enables easy on-site solutions to cable dressing/harnessing and special equipment/panel mounting needs.

Dual Inspire Side Racks: The totally independent 22 space extra deep industry standard racks are designed to accept deep chassis power amplifiers and process electronics, and are field positionable to both or either sides of the desk. We use heavy-duty steel rails with extra half-rack tapped screw holes to allow for a wide variety of equipment spacing. A 2.00" clearance is given between the rack rails and tambour doors for space for knobs and handles and to assist with ventilation (see notes on lock clearance exceptions). Rear clearance is maintained since the tambour doors stop before reaching the rear even when fully open. The tambour rack doors are secured with a flush-mount brass cabinet lock keyed alike to the desk tambour's lock. The racks have removable upper & lower rear panels for access plus the rack floor is clad in our matte black high pressure laminate for extra durability.

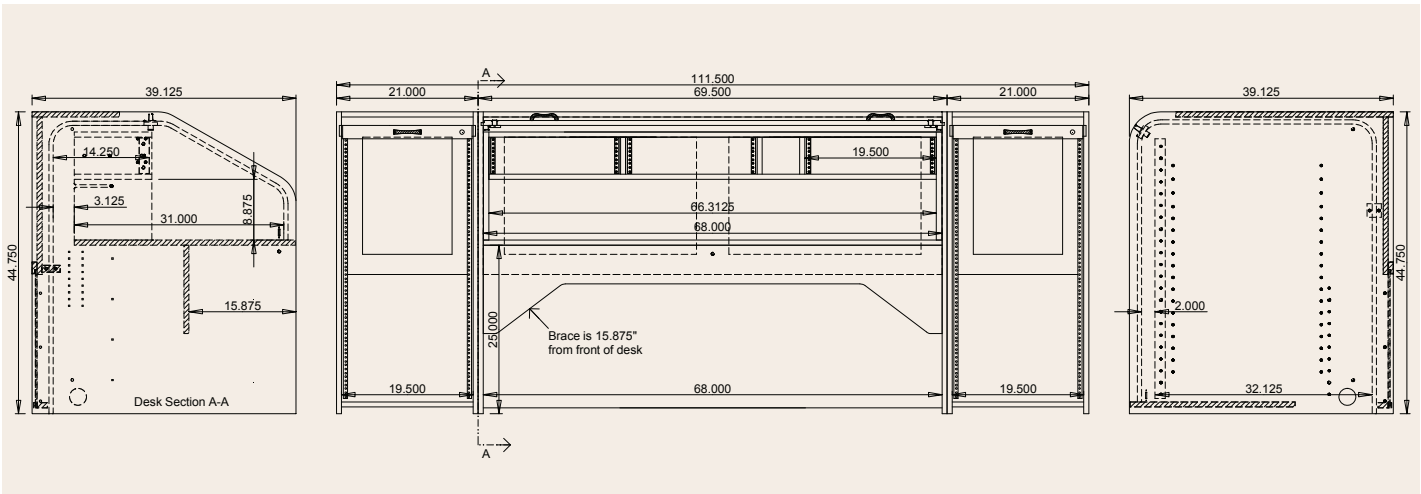
- ▶ The most beautiful & functional solution for housing electronic systems
- ▶ Dual 22 space Inspire side racks
- ▶ Upper SlideOut racks above table
- ▶ Less than 45" high overall
- ▶ Both Desk & Rack rolltop tambour doors lock
- ▶ Spacious, wider desk legroom
- ▶ Modesty Panels & Accessway Options included with this model
- ▶ Solidly & carefully crafted
- ▶ With a variety of finishes

SlideOut Upper Racks: Three side-by-side rack mounts of 3 spaces each bridge the table top for convenient mounting of media players, processors and other units where frequent adjustment or visual monitoring is desired. The entire rack bridge slides forward by loosening two screws and is self-supporting for easy handling and wiring.

Rolltop Tambours: We hand build our own rolltop tambour doors to assure quality and extra strength. The 1.5" by 1/2" thick tambours are lead by a 2" wide by 3/4" thick lead tambour for extra strength at the locks and polished brass handles. The thicker profile results in a very smooth operation that can be maintained with an occasional application of ordinary wax. Flush mounted cabinet locks on the lead tambours engage into the sidewalls, securing the rolltop tambour doors without getting in the way.

Finish: A variety of stain colors are available with our beautiful and environmentally friendly waterborne finishing system. These advanced waterborne stains and durable finish coats produce a beautiful grain pattern and depth of color. They maintain the natural feel of the wood yet offer some of the best protection from abrasion and spills and keep looking great with minimal upkeep. Actual color samples are available to help you make your selection.

Additional Inspire Rolltop Custom Rolltop Benefits: The Inspire Rolltop Custom Rolltop offers additional safety and security by organizing equipment and wiring which, in modern open installations, could be a source of many problems. Being able to "lock-down" the system prevents unauthorized tampering with equipment, settings and wiring between uses. The HSA Inspire Rolltop Custom Rolltop (and our other fine wood furnishings) conveys security, professionalism and quality, presenting your audio, video, lighting or any electronic system in the very best way as a matching, integral part of its environment.



Left image of the Inspire Rolltop Custom Rolltop shows both main and side racks rolltop tambour doors opened. Right image of desk rear shows removable panels for desk and racks upper Accessway Option (included with all High Rise style Inspire Series desks) and lower Modesty Panels (included with all Inspire Desks). All exposed surfaces fully finished.

These are only a few of the many options available to customize your Inspire Rolltop Custom Rolltop:

- RBASE2 Add a RollBase caster platform system for system portability
- INHRPLUS4 Add the INHRPLUS4 or INHRPLUS5 option for extra inches of height clearance on the table for those taller mixers
- NOUPPER2 Order without the SlideOut Upper Racks for 16.75" vertical clearance
- VIDEOBAY Creates an adjustable section across the table rear to drop down a video display or use our MONARM articulating arm for display support Use with a "PLUS" and/or NOUPPER2 option for greater clearance
- Also... The sideracks are independent and can be both or either positioned right or left of the desk. You can optionally order both provisioned for "bolt together" on site at no extra charge.

These and many more options are available. Contact your dealer, or HSA directly, or visit our website at www.hsarolltops.com for more information and design assistance.

Drawing Notes: The usable depth on the table worksurface for equipment (front to back) is considered approximately 31", with an additional 3+" of open space behind that before you run into the rolltop at the back. The maximum clearance height on the worksurface under the SlideOut rack is 8.875" (with 66.3125" clearance between the walls under the rack). The side rack floor is offset from the floor 1" and is open to the floor between itself and the rear panel for ventilation and cable entry. Standard wire grommets are provided in the lower rear of the desk and rack sides. There is a 2.00" clearance between the backside of the side rack tambour door and the front surface of the rack rail. This clearance is adequate for most applications but be sure to measure equipment to be installed for all clearances to be positive. Additionally, a small amount of this clearance (and the table top tambour clearance also) is taken by the lock assemblies. They are approximately 0.5" thick out to about 2.750" from the sidewalls and about 0.75" thick within about 0.875" of the sidewalls. Although you can be sure that Standard 19" rack mount equipment will mount across our rack rails, wood is a natural product and overall working tolerances can be in the range of +/- 0.25" normally.

WARRANTY: HSA warrants standard products for a period of one year and covers defects in materials and workmanship. Wood is a natural material and every piece is unique. Deviations in the final products from each other or samples in finish, color, contrast, density and pattern are to be expected and is part of the beauty and appeal in wood products and are not considered defects under our warranty. The warranty does not cover improper installation or use of HSA products. The warranty also does not cover appearance or appearance items, finish items or any malfunctions caused by misuse or improper operation. HSA's liability does not include any consequential or resulting damage to person, property, equipment, goods, merchandise, profits, goodwill, or reputation arising out of any defect in or failure of product. HSA expressly disclaims warranty for a particular purpose and only designs and manufactures product according to dimensions furnished by the buyer or as stated in literature, website publication or drawings by HSA (which are subject to change without notice). HSA does not guarantee that another manufacturer's piece or pieces of equipment will fit into one of our designs or products as HSA does not exercise control over the sizes, arrangement, wiring or application of the other manufacturer's products or the end-user's operating preferences. Therefore the determination of whether or not equipment or a system will properly fit into an HSA product is a decision resting solely on the buyer prior to purchase. Warranty items will be repaired or replaced at our option without charge for materials or labor, provided such items are returned for inspection, transportation prepaid, to HSA, Inc., Mishawaka, IN.