



# Executive TR Series II Rack Systems

## Information & Specifications



(model TR16E-II shown)

The HSA Executive TR Series Racks give you a convenient way to house and protect a wide variety of 19" rack mount and non-rackmount electronic equipment. Very suitable for boardroom, Houses of Worship, educational, corporate, recording and other professional environments, the HSA TR Series Racks are an elegant and easy way to aesthetically blend audio, video and many other electronic systems into their surroundings.

**Materials & Assembly:** TR Series Racks are handcrafted from a selection of engineered core and multi-core panels with premium Red Oak faces for high dimensional integrity, consistency and strength. Extra thick contour edging is used to match the oak or other optional/custom wood species or high pressure laminates.

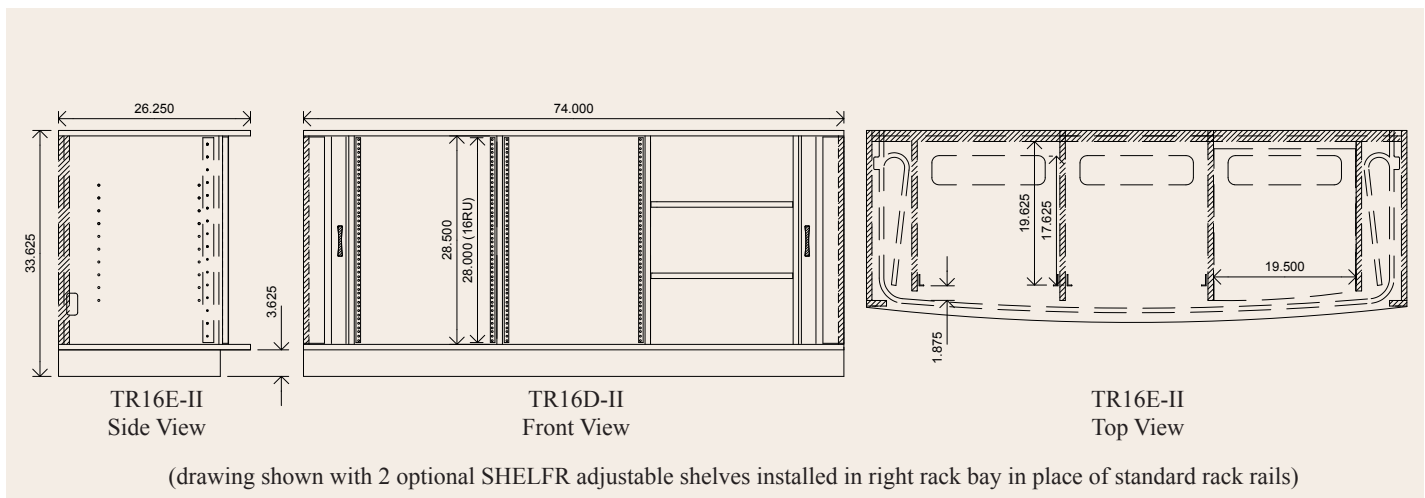
**Rack:** These unique, triple side-by-side racks configured in 12, 16 and 24 rack unit heights (for a total of 36, 48 & 72 rack spaces respectively) are fitted with heavy-duty steel rails with extra half-rack tapped screw holes to allow for a wide variety of equipment spacing. A full 1.875 inch clearance is given between the rack rail and the rolltop tambour doors. The rack rear is made of two independent, 3/4" thick completely finished, dual locking, removable doors for easy access, great appearance and maximum security. The doors features a bottom cable cutout for wire routing and are easily optioned for fan mounting, ventilation, connector panels, etc. The internal rack floor comes standard with a cable/wiring floor pass throughs. Other custom modifications and variations are available.

**Tambours:** We hand build our own tambour doors to assure quality and extra strength. The 1.5" by 1/2" thick tambours are lead by a 2" wide by 3/4" thick lead tambour for extra strength at the locks and polished brass handles. The thicker profile results in a very smooth operation that can be maintained with an occasional application of ordinary wax. A flush mounted cabinet lock on the lead tambour of each of the two doors engage on the rack's upper center, independently securing the rollfront tambour doors without getting in the way.

- ▶ The most beautiful & functional solution for housing electronic systems
- ▶ Stylish & contemporary bowfront design
- ▶ Unique, dual side-running locking rolltop tambour doors won't get in your way
- ▶ Easy wiring access with locking, removable back panel doors
- ▶ Triple 12, 16 & 24 rack versions
- ▶ Solidly & carefully crafted
- ▶ With a variety of finishes

**Finish:** A variety of stain colors are available with our popular and environmentally friendly waterborne finishing system. These advanced waterborne stains, sealers and finish coats produce a beautiful grain pattern and depth of color. They maintain the natural feel of the wood yet offer some of the best protection from abrasion and spills and keep looking great with minimal upkeep. Actual color samples are available to help you make your selection.

**Other TR Series Racks Benefits:** The Executive TR Series Racks offer additional safety and security by organizing equipment and wiring which, in modern open installations, could be a source of many problems. Being able to "lock-down" the system prevents unauthorized tampering with equipment and wiring between uses. Furthermore, the HSA TR Series Racks (and our other fine wood furnishings) conveys an image of professionalism and quality, presenting your audio, video, lighting or any electronic system in the very best way and as a matching, integral part of its environment.



Left photo of a TR16E-II shows rack rear with lockable back door panels in place (RVENT option shown on left bay's rear door). Right photo view of both rolltop doors fully opened. Right photo shows 2 SHELFR and 2 SHELFC adjustable shelf options used in place of the standard rack rails for the right and center bays. There are easy access cable/conduit cutouts in each rack bay floor and the rear door panels (plus a center bay wiring pass-through).

**The TR Series Racks are available with the following options/customizations:**

- DRCASTERS-HD 6 – Special Heavy-Duty Casters (hidden front and sides by base)
- SHELFL Shelf for TR Racks (left-hand bay as seen from user's or front perspective)
- SHELFR Shelf for TR Racks (right-hand bay as seen from user's or front perspective)
- SHELFC Shelf for TR Racks (center bay as seen from user's or front perspective)
- DUALFAN Dual, quiet fan system (w/temperature sensor) installed in 1 rear door
- RRAIL12 12RU Rear rack set installed
- RRAIL16 16RU Rear rack set installed
- RRAIL24 24RU Rear rack set installed
- RVENT Ventilation slots added to 1 rack rear door panel (indicate for the left-hand bay or right bay as seen from user's or front perspective)
- TGROM Standard 2.5" capped grommet installed in rack top
- HDWESILV Satin/Silver finish hardware
- COVER Heavy-duty padded dust cover

*(2 rails = 1 set. Indicate installation for the left-hand bay or right bay as seen from user's or front perspective)*

These and many more options are available. Contact your dealer, or HSA directly, or visit our website at [www.hsarolltops.com](http://www.hsarolltops.com) for more information and design assistance.

**Drawing Notes:** The maximum usable rack depth for equipment is considered approximately 19.625 inches (17.625" if optional rear rack rails installed). There is a 1.875"~2.00" clearance between the backside of the tambour door and the front surface of the rack rail. Additionally, a small amount of this clearance is taken by the lock assembly. Locks are approximately 0.5" thick out to about 2.750" from the underside of the top and about 0.75" thick within about 0.875" of the underside of the top. This clearance is adequate for most applications but be sure to measure equipment to be installed to be positive. Top view shows HSA's unique "switchback" tambour track to allow full rear access with the rolltop tambour doors fully open in front. Drawing also shows cable pass-throughs in rear of floor and smaller pass-through near lower rear of internal sides. Drawing shows OPTIONAL adjustable shelves in right bay (normally ships with rack rails installed in the bays). **Overall height for the TR12E-II (w/36 rack spaces) is 26.625" while the TR24E-II (w/72 rack spaces) is 47.625"**. Although you can be sure that standard 19" rack mount equipment will mount across our rack rails, wood is a natural product and overall working tolerances can be in the range of +/- 0.25" normally.

**WARRANTY:** HSA warrants standard products for a period of one year and covers defects in materials and workmanship. Wood is a natural material and every piece is unique. Deviations in the final products from each other or samples in finish, color, contrast, density and pattern are to be expected and is part of the beauty and appeal in wood products and are not considered defects under our warranty. The warranty does not cover improper installation or use of HSA products. The warranty also does not cover appearance or appearance items, finish items or any malfunctions caused by misuse or improper operation. HSA's liability does not include any consequential or resulting damage to person, property, equipment, goods, merchandise, profits, goodwill, or reputation arising out of any defect in or failure of product. HSA expressly disclaims warranty for a particular purpose and only designs and manufactures product according to dimensions furnished by the buyer or as stated in literature, website publication or drawings by HSA (which are subject to change without notice). HSA does not guarantee that another manufacturer's piece or pieces of equipment will fit into one of our designs or products as HSA does not exercise control over the sizes, arrangement, wiring or application of the other manufacturer's products or the end-user's operating preferences. Therefore the determination of whether or not equipment or a system will properly fit into an HSA product is a decision resting solely on the buyer prior to purchase. Warranty items will be repaired or replaced at our option without charge for materials or labor, provided such items are returned for inspection, transportation prepaid, to HSA, Inc., Mishawaka, IN.