



The Extended Rolltop

Information & Specifications



(model EXTRT-II)

The HSA Extended Rolltops give you a convenient way to house and protect a wide variety of 19" rack mount and non-rackmount electronic equipment. Very suitable for boardroom, Houses of Worship, educational, corporate, recording and other professional environments, the HSA Extended Rolltops are an elegant and easy way to beautifully blend audio, video and many other electronic systems into their surroundings for easy operation by authorized users.

Materials & Assembly: Extended Rolltops are hand-crafted from a selection of engineered core and multi-core panels with premium oak faces for high dimensional integrity, consistency and strength. Edges are finished to match the oak or our other optional/custom wood species or durable high pressure laminates. HSA products can be dis-assembled for easier maintenance, updates and installation.

Table Top: The 56" wide table surface is at 25.75" height for comfortable operation of mixing consoles, computers, switchers, keyboards, recording equipment, etc. In addition to a 3.125" clearance between the table rear and tambour path, wiring grommets are provided at the table rear for additional wire management. Finished in a durable matte black high pressure laminate worksurface, it enables easy on-site solutions to cable dressing/harnessing and special equipment/panel mounting needs.

Lower Rack: The 10 space industry standard rack is designed to accept deep chassis power amplifiers and process electronics with its 19.75 inches of "front rail to rear" clearance. Heavy-duty steel rails with extra half-rack tapped screw holes allow for a wide variety of equipment spacing. A 1.50" clearance is given between the rack rails and locking rolltop tambour rack door for space for knobs and handles and to assist with ventilation (see notes on lock clearance exceptions). Rear clearance is maintained since the tambour door stops before reaching the rear even when fully open. The rolltop tambour rack door is secured with a flush-mount brass cabinet lock keyed alike to the main rolltop tambour door lock. Additional ventilation and the

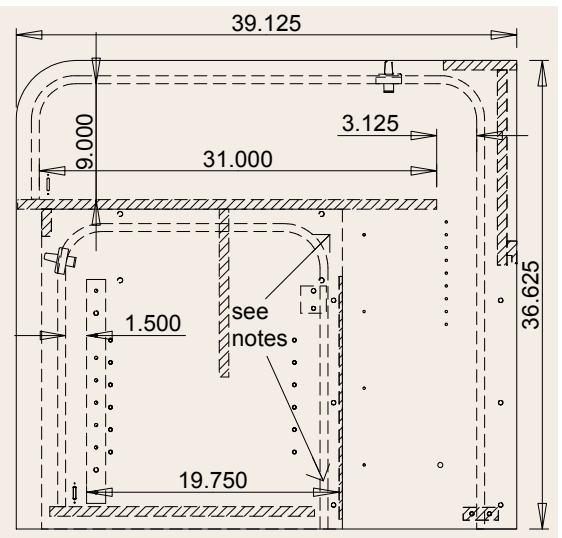
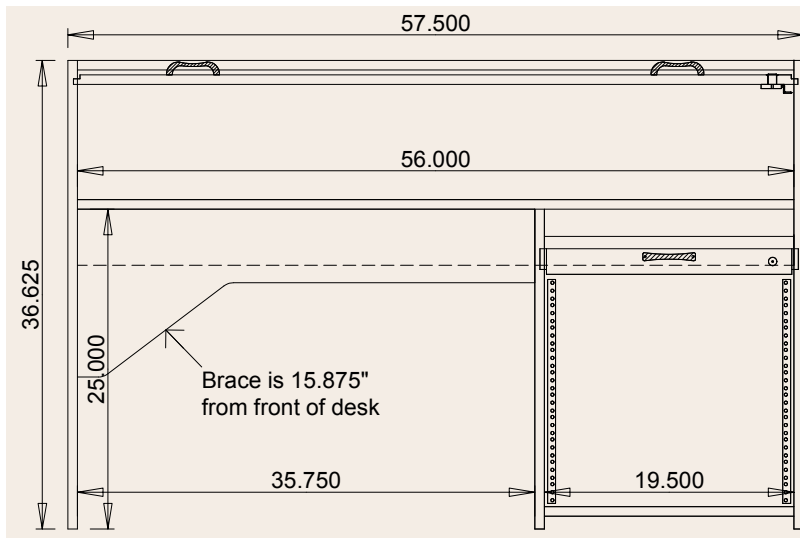
- ▶ The most beautiful & functional solution for housing electronic systems
- ▶ Deep 10 space lower rack
- ▶ Low profile, less than 37" high overall
- ▶ Both Upper & Lower rolltop tambour doors lock
- ▶ Solidly & carefully crafted
- ▶ With a variety of finishes

cable access ways are found at both the top and bottom of the rear of racks. The rack has a finished, removable rear panel for security and beauty plus the rack floor is clad in our matte black high pressure laminate for extra durability.

Rolltop Tambours: We hand build our own rolltop tambour doors to assure quality and extra strength. The 1.5" by 1/2" thick tambours are lead by a 2" wide by 3/4" thick lead tambour for extra strength at the locks and polished brass handles. The thicker profile results in a very smooth operation that can be maintained with an occasional application of ordinary wax. Flush mounted cabinet locks on the lead tambours engage into the sidewalls, securing the rolltop tambour doors without getting in the way.

Finish: A variety of stain colors are available with our beautiful and environmentally friendly waterborne finishing system. These advanced waterborne stains and durable finish coats produce a beautiful grain pattern and depth of color. They maintain the natural feel of the wood yet offer some of the best protection from abrasion and spills and keep looking great with minimal upkeep. Actual color samples are available to help you make your selection.

Additional Extended Rolltop Benefits: The Extended Rolltop offers additional safety and security by organizing equipment and wiring which, in modern open installations, could be a source of many problems. Being able to "lock-down" the system prevents unauthorized tampering with equipment, settings and wiring between uses. The HSA Extended Rolltop (and our other fine wood furnishings) conveys security, professionalism and quality, presenting your audio, video, lighting or any electronic system in the very best way as a matching, integral part of its environment.



Left image of the Extended Rolltop shows both main and undermounted rack rolltop tambour doors opened (main rolltop descends and covers lower rear when opened). Right image of desk rear shows undermounted rack's rear removable panel in place with main rolltop in closed position. All exposed surfaces fully finished.

These are only a few of the many options available to customize your Extended Rolltop:

- MODEXT Add a Modesty Panel to completely cover the lower rear of the desk.
- RBASE1 Need portability? Add a RollBase caster platform system!
- PLUS4 Not enough clearance? Add the PLUS4 or PLUS5 option for extra inches of height clearance on the table for those taller mixers
- RACKLEFT The rack doesn't have to be on the right - order it on the left!

These and many more options are available. Contact your dealer, or HSA directly, or visit our website at www.hsarolltops.com for more information and design assistance.

Drawing Notes: The usable depth on the table worksurface for equipment (front to back) is considered approximately 31 inches, with an additional 3+\"/>

WARRANTY: HSA warrants standard products for a period of one year and covers defects in materials and workmanship. Wood is a natural material and every piece is unique. Deviations in the final products from each other or samples in finish, color, contrast, density and pattern are to be expected and is part of the beauty and appeal in wood products and are not considered defects under our warranty. The warranty does not cover improper installation or use of HSA products. The warranty also does not cover appearance or appearance items, finish items or any malfunctions caused by misuse or improper operation. HSA's liability does not include any consequential or resulting damage to person, property, equipment, goods, merchandise, profits, goodwill, or reputation arising out of any defect in or failure of product. HSA expressly disclaims warranty for a particular purpose and only designs and manufactures product according to dimensions furnished by the buyer or as stated in literature, website publication or drawings by HSA (which are subject to change without notice). HSA does not guarantee that another manufacturer's piece or pieces of equipment will fit into one of our designs or products as HSA does not exercise control over the sizes, arrangement, wiring or application of the other manufacturer's products or the end-user's operating preferences. Therefore the determination of whether or not equipment or a system will properly fit into an HSA product is a decision resting solely on the buyer prior to purchase. Warranty items will be repaired or replaced at our option without charge for materials or labor, provided such items are returned for inspection, transportation prepaid, to HSA, Inc., Mishawaka, IN.