



# The Slant RollRacks

## Information & Specifications



(model SLRR24-II shown)

The HSA Slant RollRacks give you a convenient way to house and protect a wide variety of 19" rack mount and non-rack-mount electronic equipment. Very suitable for boardroom, Houses of Worship, educational, corporate, recording and other professional environments, the HSA Slant RollRacks are an elegant and easy way to aesthetically blend audio, video and many other electronic systems into their surroundings.

**Materials & Assembly:** Slant RollRacks are handcrafted from a selection of engineered core and multi-core panels with premium Red Oak faces for high dimensional integrity, consistency and strength. Extra thick contour edging is used to match the oak or other optional/custom wood species or high pressure laminates.

**Slant Angled Front:** The angled front of the Slant RollRacks provide exceptional equipment access and visual monitoring with a sleek, aesthetically pleasing appearance.

**Rack:** These 16 and 24 space racks are fitted with heavy-duty steel rails with extra half-rack tapped screw holes to allow for a wide variety of equipment spacing. A full 2.00 inch clearance is given between the rack rail face and the backside of the closed rolltop tambour door. The rack rear is a completely finished, 3/4" thick, tab-locked and machine screw secured, removable door panel for easy access, great appearance and maximum security. The panel features a bottom cable cutout for wire routing and is easily optioned for fan mounting, ventilation, connector panels, etc. The rack floor comes standard with ventilation slotting and a large cable/wiring floor pass through. Other custom modifications and variations are available.

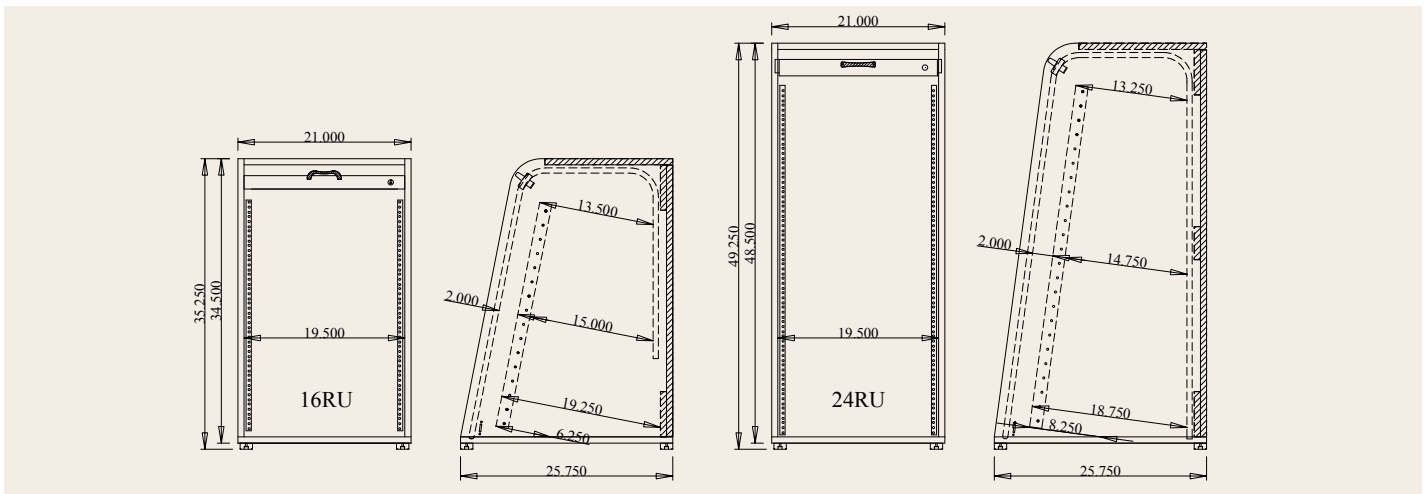
**Tambours:** We hand build our own tambour doors to assure quality and extra strength. The 1.5" by 1/2" thick tambours are

- ▶ The most beautiful & functional solution for housing electronic systems
- ▶ 16 and 24 rack space versions
- ▶ Beautiful & practical locking rolltop door - it's the "Roll" in RollRack!
- ▶ Up-angled slant design for better visual monitoring of equipment
- ▶ "2 screws" easy access removable rear door with lower cable exit
- ▶ Well-ventilated floor with large, easy wiring entrance/exit
- ▶ Solidly & carefully crafted
- ▶ With a variety of finishes

lead by a 2" wide by 3/4" thick lead tambour for extra strength at the lock and polished brass handle. The thicker profile results in a very smooth operation that can be maintained with an occasional application of ordinary wax. A flush mounted cabinet lock on the lead tambour engages on the rack's lower inside, securing the rollfront tambour door without getting in the way.

**Finish:** A variety of stain colors are available with our popular and environmentally friendly waterborne finishing system. These advanced waterborne stains, sealers and finish coats produce a beautiful grain pattern and depth of color. They maintain the natural feel of the wood yet offer some of the best protection from abrasion and spills and keep looking great with minimal upkeep. Actual color samples are available to help you make your selection.

**Other Slant RollRacks Benefits:** The Slant RollRacks offer additional safety and security by organizing equipment and wiring which, in modern open installations, could be a source of many problems. Being able to "lock-down" the system prevents unauthorized tampering with equipment and wiring between uses. Furthermore, the HSA Slant RollRacks (and our other fine wood furnishings) conveys an image of professionalism and quality, presenting your audio, video, lighting or any electronic system in the very best way and as a matching, integral part of its environment.



Left to right views of a Slant RollRack 24 shows view of rear with tab-locked and machine screw secured back door panel removed and front view with the rolltop door fully opened. Note the floor ventilation slotting and the easy access cable/conduit cutout both in rack floor and rear door panel.

**The Slant RollRacks are available with the following options/customizations:**

CASTERS	Standard Caster Set (4) for Classic, PR, Slant or RollRacks
CASTERS-HD	4" Heavy Duty Caster Set (4) for Classic, PR, Slant or RollRacks
DUALFAN	Dual, quiet fan system (w/temperature sensor) installed in rear door
RRAIL10	10RU Rear rail rack set installed (limited access for RR16 or larger)
RRAIL12	12RU Rear rail rack set installed (limited access for RR16 or larger)
RRAIL20	20RU Rear rail rack set installed (limited access for RR24 or larger)
RVENT	Ventilation slots added to rack rear door panel
HDWESILV	Satin/Silver finish hardware
COVER	Heavy-duty padded dust cover

These and many more options are available. Contact your dealer, or HSA directly, or visit our website at [www.hsarolltops.com](http://www.hsarolltops.com) for more information and design assistance.

Drawing Notes: The maximum usable rack depth for equipment varies according to its placement in either of the Slant RollRacks. Refer to the drawing above or call HSA for further information. Not visible in this drawing is the ventilated rack floor which includes a large floor cable/wiring pass through and the cable/wiring pass through at the bottom of the rear panel door. There is a 2.00" maximum clearance between the backside of the closed rolltop tambour door and the face of the standard front rack rails. This clearance is adequate for most applications but be sure to measure equipment to be installed to verify this. Additionally, a small amount of this clearance is taken by the lock assembly. Locks are approximately 0.5" thick out to about 2.750" from the sidewalls and about 0.75" thick within about 0.875" of the sidewalls. Although you can be sure that standard 19" rack mount equipment will mount across our rack rails, wood is a natural product and overall working tolerances can be in the range of +/- 0.25" normally.

**WARRANTY:** HSA warrants standard products for a period of one year and covers defects in materials and workmanship. Wood is a natural material and every piece is unique. Deviations in the final products from each other or samples in finish, color, contrast, density and pattern are to be expected and is part of the beauty and appeal in wood products and are not considered defects under our warranty. The warranty does not cover improper installation or use of HSA products. The warranty also does not cover appearance or appearance items, finish items or any malfunctions caused by misuse or improper operation. HSA's liability does not include any consequential or resulting damage to person, property, equipment, goods, merchandise, profits, goodwill, or reputation arising out of any defect in or failure of product. HSA expressly disclaims warranty for a particular purpose and only designs and manufactures product according to dimensions furnished by the buyer or as stated in literature, website publication or drawings by HSA (which are subject to change without notice). HSA does not guarantee that another manufacturer's piece or pieces of equipment will fit into one of our designs or products as HSA does not exercise control over the sizes, arrangement, wiring or application of the other manufacturer's products or the end-user's operating preferences. Therefore the determination of whether or not equipment or a system will properly fit into an HSA product is a decision resting solely on the buyer prior to purchase. Warranty items will be repaired or replaced at our option without charge for materials or labor, provided such items are returned for inspection, transportation prepaid, to HSA, Inc., Mishawaka, IN.

**Product specifications, availability and cost subject to change without notice.**

**Slant RollRacks © 1990-2019 by HSA, Inc**